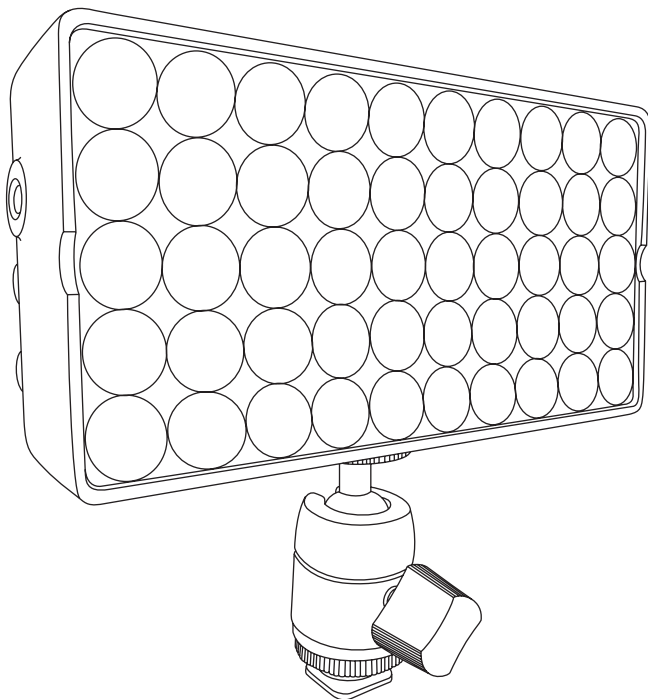


Lupo
Made in Italy



Smartpanel DUAL COLOR

User Manual

SAFETY PRECAUTIONS:

Do not operate the equipment before studying the instruction manual and the accompanying safety precautions. Make sure that Lupo Safety Instruction is always included with the equipment! Lupo products are intended for professional use. Do not place or use the equipment where it can be exposed to moisture, extreme electromagnetic fields or in areas with flammable gases or dust! Do not expose the equipment to hasty temperature changes in humid condition as could lead to condensation water in the unit. Equipment must only be serviced, modified or repaired by authorized. Dealers or the factory.

CAUTION - BURN HAZARD - HOT PARTS

Do not touch hot parts with bare fingers! LED bulbs and certain metal parts emit strong heat when used!

Do not point lamps too close to persons. Always use the fixtures with the front part closed.

NOTICE - EQUIPMENT OVERHEATING RISK

Do not obstruct ventilation by placing filters, diffusing materials, etc. over inlets and outlets of the equipment ventilation or directly over glass cover or LED bulbs.

FINAL DISPOSAL

Equipment contains electrical and electronic components that could be harmful to the environment.

Equipment may be returned to Lupo distributors free of charge for recycling

according to WEEE. Follow local legal requirements for separate disposal of waste, for instance WEEE directive for electrical and electronic equipment on the European market, when product life has ended.

MAINTENANCE AND CARE

Please do not forget that the safe operation of lampheads also includes their maintenance and care.

A visual inspection should be conducted before every use and an inspection of electrical safety should be conducted at least once every 12 months.

WARRANTY

The warranty period for Lupo products and those marketed by Lupo is twelve months from the date of delivery. Lupo guarantees that the goods it supplies are well manufactured and of good quality. The warranty guarantees the repair of any parts that show acknowledged defects in materials, construction or workmanship during the warranty period. The guarantee excludes any liability for direct or indirect damage of any kind and for any reason, for which Lupo will therefore not be required to pay compensation. The customers shall see to delivering the parts that need repair or replacement to Lupo's works at their own expense and risk. The repaired or replacement parts shall be delivered by Lupo ex-works. The customers will be charged for materials and labor or replacement of the product after the expiration of the warranty period.

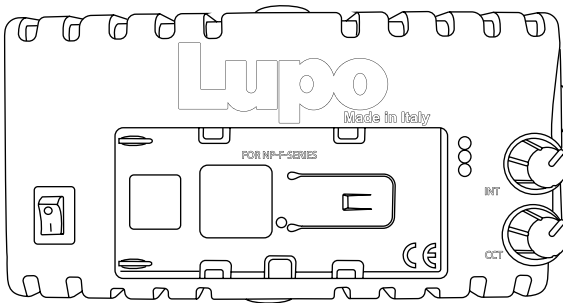
*Thanks for having purchased **Lupo** products. All the products are made in Italy and all the efforts have been put to keep the quality standards high. We hope this product can help you in your job and make your life easier as a professional. We also hope you will enjoy its use and we would be happy to receive your feedback about it.*

Instructions

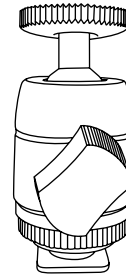
- Device for indoor use only.
- Maximum ambient temperature: 35 °C.
- Make sure power supply plug is suitable for power required.
- To switch on the light push the on/off button.
- Smartpanel models are equipped with new generation high quality powerleds.

ATTENTION: when the C type cable is connected, and the unity is powered by Type C cable, the power is 50%.

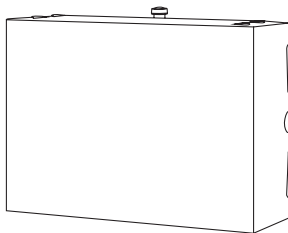
Package Contents



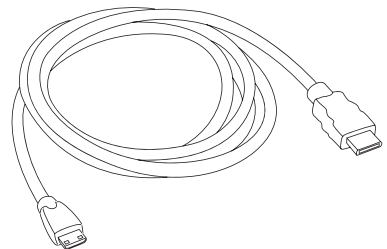
Smartpanel



Stand and camera adapter

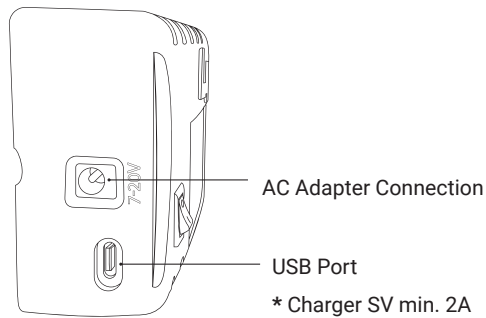
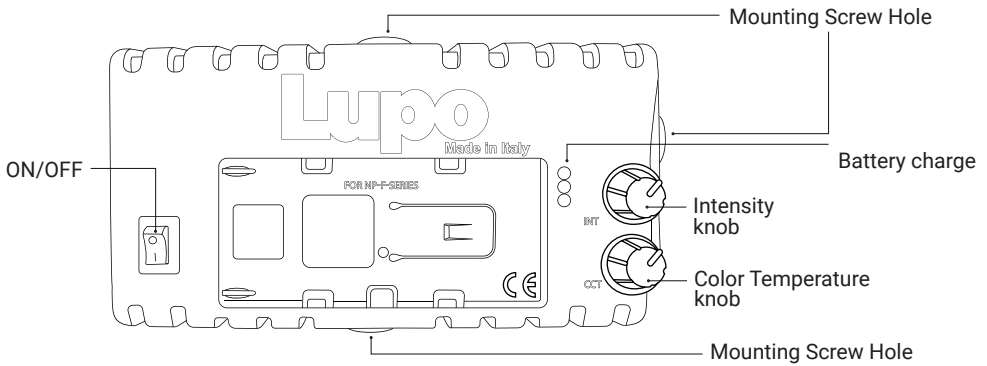


Diffuser

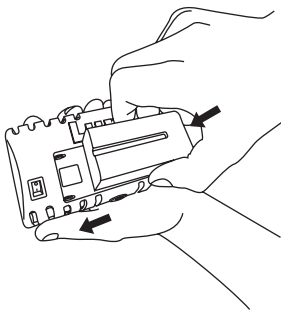


USB cable

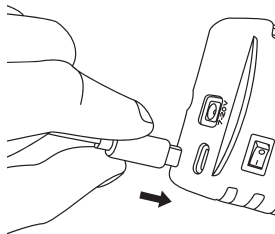
Getting Started



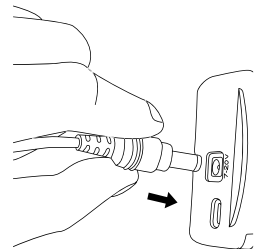
Switching on the Smartpanel



- 1 For battery use:** insert the battery (not included) and switch ON the unit.



- 2 For use with USB cable:** insert the USB cable in the USB port and switch ON the unit.
* Charger SV min. 2A

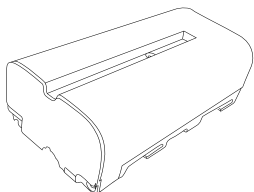


- 3 For use with AC Adapter Connection:** insert the Adapter Connection in the AC port and switch ON the unit.

Accessories

The accessories are products sold separately.

2

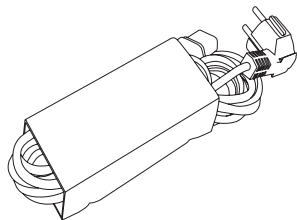


2 Battery

Battery option 1: NP-F-SERIES (7.4 V)

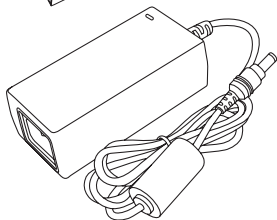
Battery option 2: V-Mount type (14.8 V)

3



3 AC Power Cord Cable and AC Adapter (cod. 752)

AC input: 100 V - 240 V DC output: 12 V



Attention: AC center pin must be positive.

Lupo
Made in Italy

Lupo srl

Via V. Sassi 28/30

Collegno (TO) - 10093 - Italy

Phone: +39 011 411 9919

E-mail: contact@lupo.it

Website: www.lupo.it